

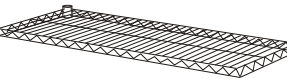
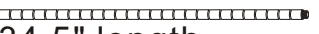
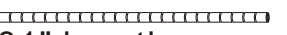
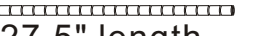






# UTILITY STATION

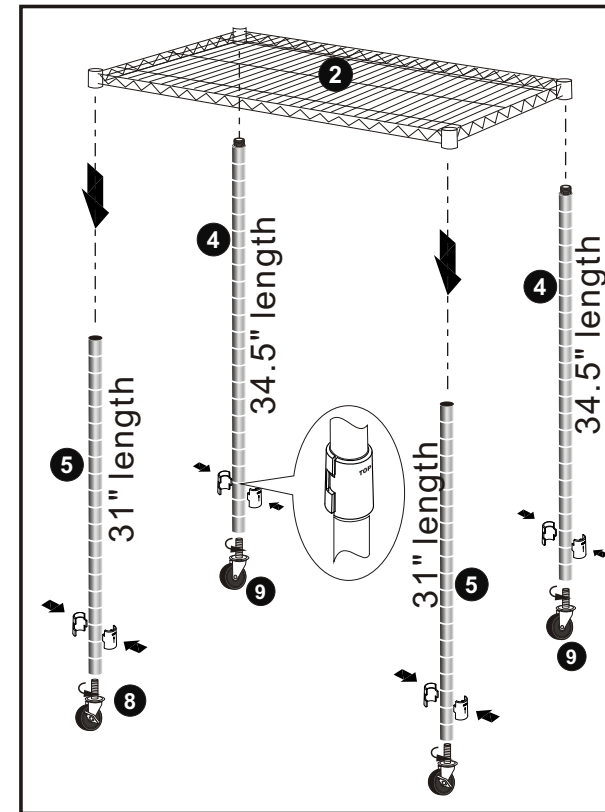
## Revolutionary ultra-sturdy construction

Ideal for all heavyweight book binders, pouch laminators, trimmers, paper folders and more.

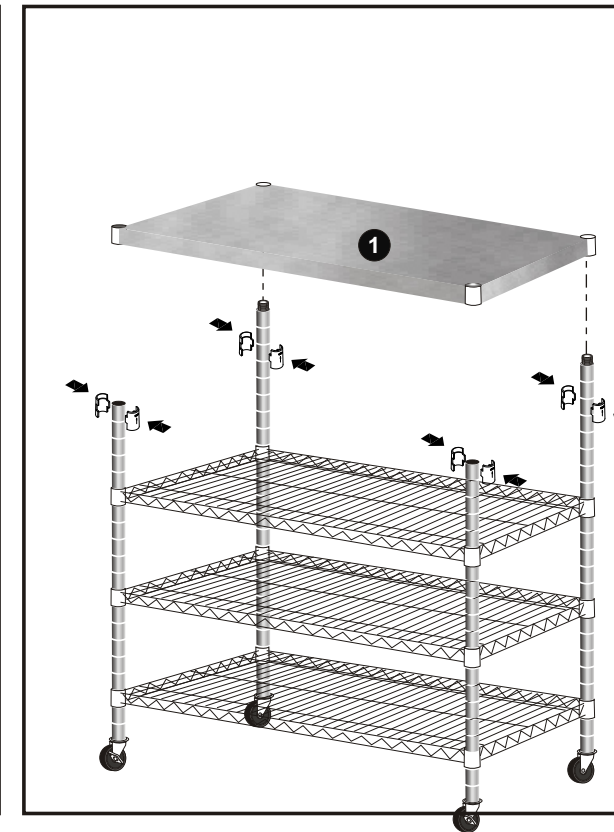
#	PART	QTY
1		1
2		3
3		2
4	 34.5" length	2
5	 31" length	2
6	 27.5" length	2
7		40
8		2
9		2
10		4



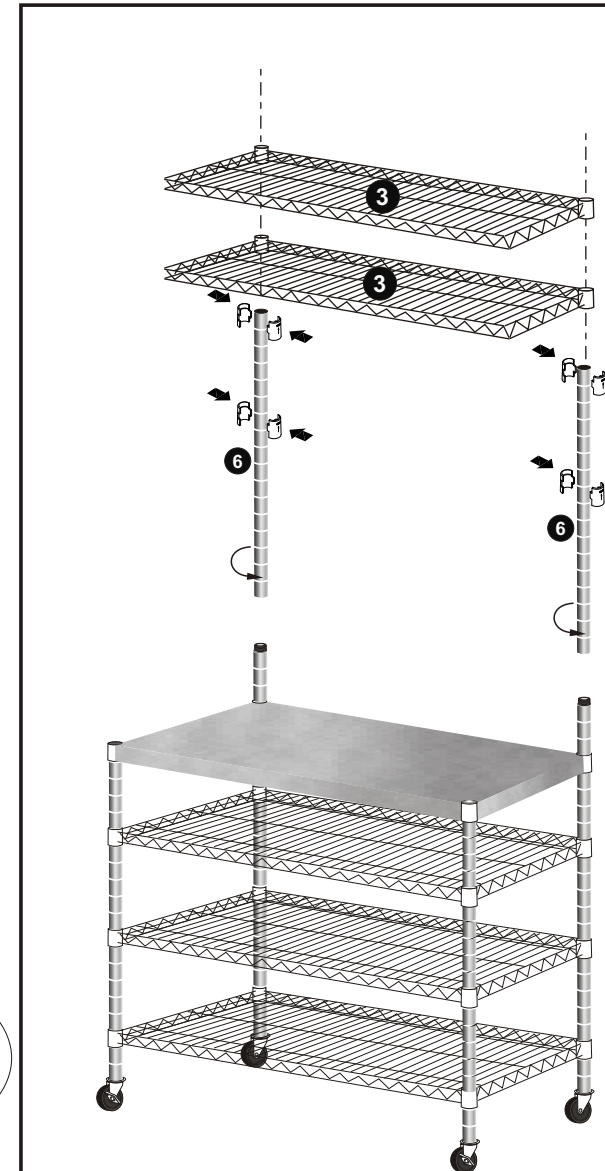
### STEP: 1



### STEP: 2



### STEP: 3



To secure an ultra-sturdy construction for your new Utility Station, use a **Wood or Rubber hammer (NOT Metal)** to gently hit on all corners of the shelves.

