

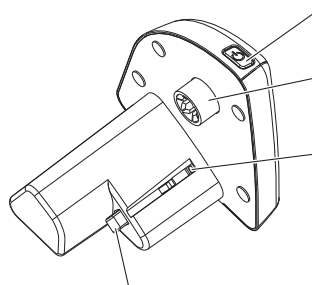
IMPORTANT

- Make sure the **Power Pack** is properly installed in the **CardMac** before plugging the power adapter into an electrical outlet.
- The **Power Pack** was designed only for use with the **CardMac** and should not be used with many other machines.
- Avoid placing fingers or foreign objects into the openings or cutting slots. Doing so will result in injury and damage to the machine.

SAFETY INFORMATION

- Read all operating and safety instructions before using the machine.
- Observe all warnings and instructions marked on the machine.
- Install the machine on a secure and stable table.
- If the machine does not operate normally, please contact your local reseller for help.
- There are no user serviceable parts inside the machine.
- Do not remove any covers, modify or change any part of the machine. Doing so will void your warranty.

PRODUCT OVERVIEW



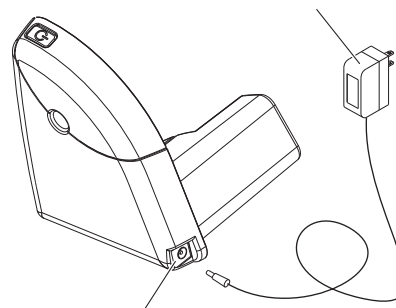
Release Switch - press to release the Power Pack from the CardMac.

Power Button - hold to activate the Power Pack.

Driving Shaft - connects to the side gear of the CardMac.

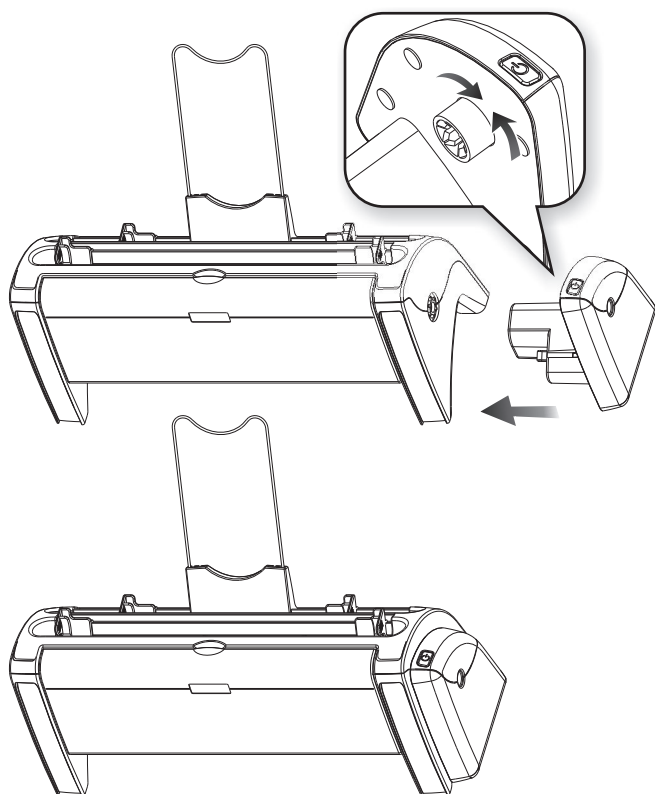
Safety Lock - the Power Pack must be properly installed and locked into place to become functional.

Power Adapter - plug this into an electrical outlet to power the Power Pack.



Power Jack - connect the power lead from the power adapter to this jack.

ASSEMBLY INSTRUCTIONS



Connect the **Driving Shaft** on the **Power Pack** to the side gear of the **CardMac** firmly. If necessary, rotate the **Driving Shaft** slightly for proper alignment.

Two clicking sounds should be heard while installing the Power Pack. Both the **Release Button** and **Safety Lock** will make audible clicks when installed properly.